



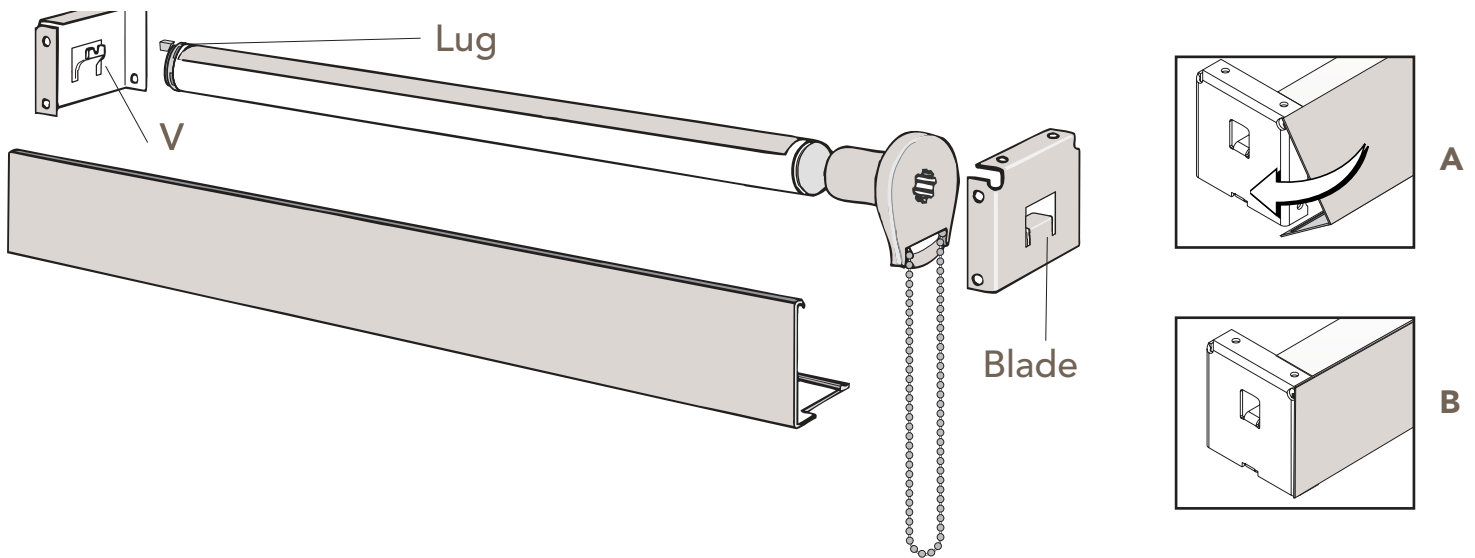
VALANCE (BOX) INSTALLATION INSTRUCTIONS

TOOLS:
• screwdriver (phillips)

The brackets for clutch roller shades are universal – you can use the same bracket for right, left, ceiling, wall or inside mount installations.

STEP ONE

MOUNT THE BRACKETS. The open end of each bracket faces downward, as shown in the drawing below. **NOTE:** if you have an inside mount and must use inside mount holes, you will have to drill your own holes in the side of the bracket. Use at least two screws per bracket, and make sure the screw heads clear the clutch.



STEP TWO

INSTALL THE SHADE. Push the clutch straight onto the blade of its bracket. The bottom of the clutch should always point straight down, as shown above. Lower the lug of the end plug onto the "V" of its bracket. The roller should fit in the brackets securely, with just a little play.

STEP THREE

ATTACH FASCIA PANEL. Attach the fascia by first hooking the top lip of the fascia panel onto the bracket as shown (A). Swing the bottom fascia panel towards the bracket and gently press at the bottom of the panel until the lip on the fascia engages and snaps locked to the bracket (B).

STEP FOUR

ENJOY. Pulling gently on one side of the control cord or bead chain raises the shade; pulling down on the other side lowers it.

WARNING. Be careful with children around operating cord. Entanglement can cause serious injury or death.

